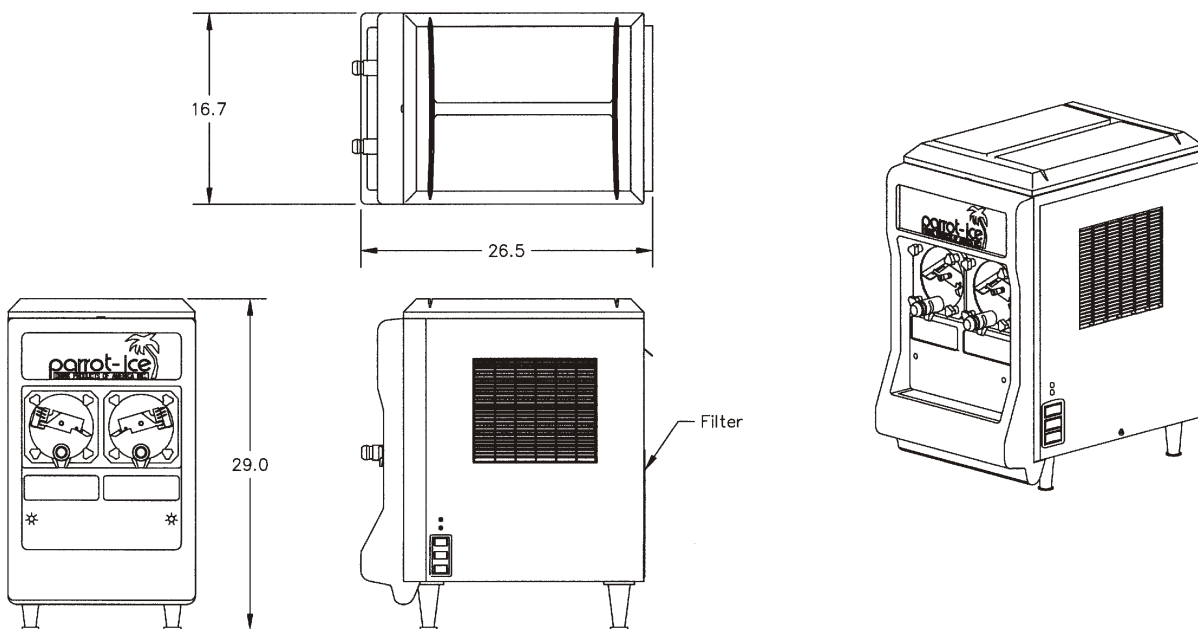


Model 2403/2405ABF-FIB Frozen Beverage Dispenser Specifications



Model

2403/2405-Dual Cylinder
 ABF-FIB Frozen Beverage
 Counter Top Dispenser
 w/Auto Batch Fill-Fruit in Box

Compressor H.P

(2)1/3 Hp x 1300 BTU/Hr

Refrigeration System

R134A

Electrical Requirements

Operating Voltage 115v/20amp

Frequency - 60hz Single Phase

Capacity

CYLINDER 3.5 QTS x 2

HOPPER 9.0 QTS. x 2

TOTAL 12.5 QTS. x 2

* All tests performed in controlled test environment. Actual results may vary with operating conditions.

* Due to ongoing development all specifications are subject to change without notice.

Physical Properties

HEIGHT 29"

WIDTH 16.7"

DEPTH 26.5"

WEIGHT 185 Lbs.

COLOR Black; Stainless

CONSTRUCTION 304 Stainless; ABS Front Uniframe

Standard Freeze Down

Both Cylinders Loaded

60 min with product @ 75° F
 (initial time required to freeze from liquid)

Peak Demand per Cylinder

6 servings (14 oz) x 2
 (number of optimum servings which can be drawn consecutively).

Standard Draw Rate Per Cylinder

1 Servings/2min. (14 oz) x 2
 30 servings/hr (14 oz) x 2
 3.25 gallons/hr x 2
 (Optimum number of servings which can be drawn over specified time).

Parrot-Ice Drink Products of America, Ltd.