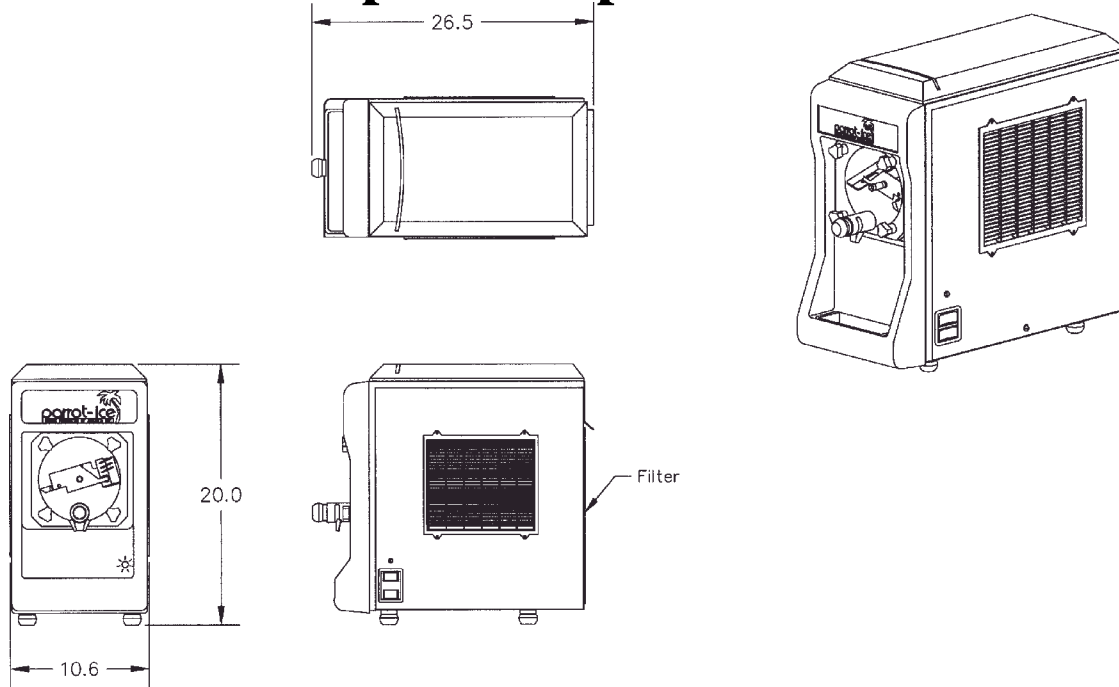


Model 307 Frozen Beverage Dispenser Specifications



Model

307 - Single Cylinder Frozen Beverage Counter Top Dispenser

Compressor H.P.

(1)3/4 hp - 6600 BTU/Hr.

Refrigeration System

R-502

Electrical Requirements

OPERATING VOLTAGE 115V/15AMP

MIN. CIRCUIT

FREQUENCY - 60Hz Single Phase

Capacity

CYLINDER 3.5 QTS

HOPPER 8.0 QTS.

TOTAL 11.5 QTS.

* All tests performed in controlled test environment. Actual results may vary with operating conditions.

* Due to ongoing development all specifications are subject to change without notice.

Physical Properties

HEIGHT 20"

WIDTH 10.6"

DEPTH 26.5"

WEIGHT 118 lbs.

COLOR Stainless

CONSTRUCTION 304 Stainless; ABS Front Uniframe

Standard Freeze Down

30 min with product @ 75°F (initial time required to freeze from liquid)

Peak Demand

5 servings (14 oz) (number of optimum servings which can be drawn consecutively)

Standard Draw Rate

1 serving every min (14 oz)
60 servings/hr (14 oz)
6.5 gallons/hr (optimum number of servings which can be drawn over specified time)

Parrot-Ice Drink Products of America, Ltd.